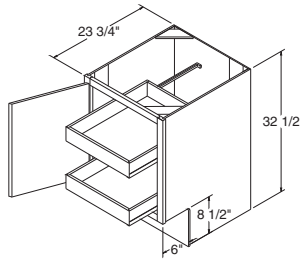


**NOTES** ✓

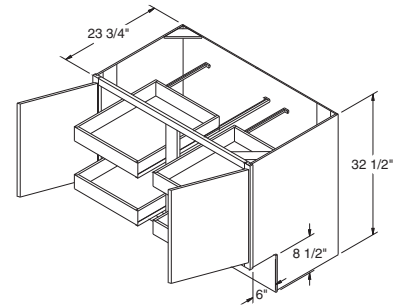
- ▶ Available only in Westbury Square, Sinclair Square, and Oakland Square.
- ▶ Cabinets use standard natural maple interior.
- ▶ Single door cabinets include two Roll Trays.
- ▶ Double door cabinets include four Roll Trays.

## Base Cabinets with Roll Trays, 32 1/2" High with 8 1/2" Toekick

**PCB12**  
**PCB15**  
**PCB18**  
**PCB21**  
**PCB24**



**PCB27**  
**PCB30**  
**PCB33**  
**PCB36**

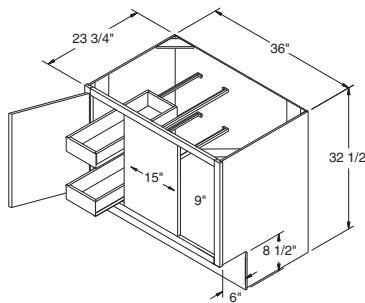


**NOTES** ✓

- ▶ Available only in Westbury Square, Sinclair Square, and Oakland Square.
- ▶ Cabinets use standard natural maple interior.
- ▶ One door, and two Roll Trays.
- ▶ All Square Corner Base cabinets are reversible. (If reversed, trays will need to be reinstalled).
- ▶ 3" Filler is included with all Square Corner Base units.
- ▶ Minimum 1" Filler and 1" Pull required for PCSCB36.
- ▶ To ensure proper clearance, it is recommended you do not use next to appliances.
- ▶ Cabinet may be pulled maximum of 4".

## Square Corner Base Cabinets with Two Roll Trays, 32 1/2" High, 36" Wide with 8 1/2" Toekick

**PCSCB36**

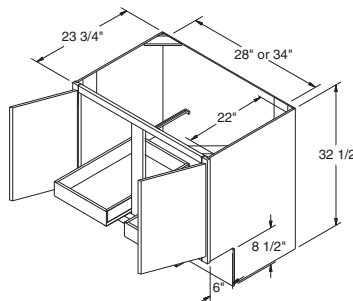


**NOTES** ✓

- ▶ Available only in Westbury Square, Sinclair Square, and Oakland Square.
- ▶ Cabinets use standard natural maple interior.
- ▶ Two doors and two Roll Trays, 28" and 34" wide and 22" deep space for sink opening.
- ▶ It may be necessary to modify the corner braces with some sink applications.

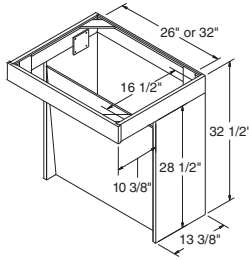
## Square Corner Base Cabinets with Two Roll Trays, 32 1/2" High with 8 1/2" Toekick

**PCSB30**  
**PCSB36**



### Sink Unit Cabinets with Front Panel, 32 1/2" High

**PCSU30**  
**PCSU36**

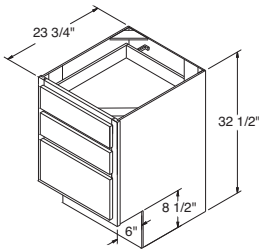


**NOTES** ✓

- ▶ Available only in Westbury Square, Sinclair Square, and Oakland Square.
- ▶ Cabinets use standard natural maple interior.
- ▶ 26" and 32" wide and 16 1/2" deep space for sink opening.
- ▶ Shipped unassembled.
- ▶ Removable front panel.
- ▶ Do not use or install as a freestanding unit.
- ▶ It may be necessary to modify the corner braces with some sink applications.

### Three Drawer Base Cabinets, 32 1/2" High with 8 1/2" Toekick

**PCDB12**  
**PCDB15**  
**PCDB18**

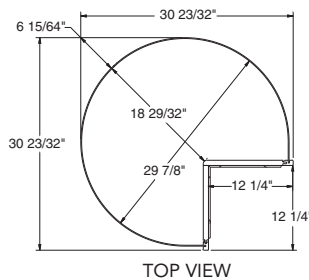
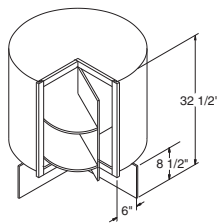


**NOTES** ✓

- ▶ Available only in Westbury Square, Sinclair Square, and Oakland Square.
- ▶ Cabinets use standard natural maple interior.
- ▶ Includes cutlery tray.
- ▶ Three drawers.

### Square Corner Roto Base Cabinet with Two Rotating Shelves, 32 1/2" High with 8 1/2" Toekick

**PCSCR36**



**NOTES** ✓

- ▶ Available only in Westbury Square, Sinclair Square, and Oakland Square.
- ▶ Cabinets use standard natural maple interior.
- ▶ Two rotating 27" diameter white shelves with a 60 lb. load capacity per shelf.
- ▶ One rotating door.

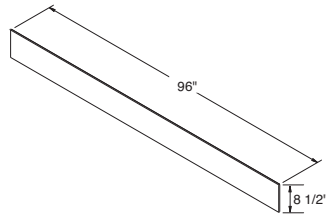
**NOTES** ✓

- ▶ PCTOEKICK includes two pieces, PCTOEKICK8 includes one piece, 96" L x 8 1/2" H x 3/8" T.



## Toekick, 96" Long, 8 1/2" High

**PCTOEKICK**  
**PCTOEKICK8** *New*



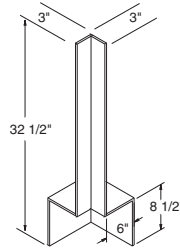
**NOTES** ✓

- ▶ PCFBC3X3: Base Corner Filler with attached Toekick.
- ▶ PCF324: Filler 3" W x 24" H.



## Base Corner Filler/Filler

**PCFBC3X3**



**PCF324**

