

Instructions for Cabinet Installation

Parts Included:

2 #10 x 2 1/2" Installation Screws*

Tools Needed:

Phillips Head Screwdriver
#2 Phillips bit
Tape Measure
Drill with 3/32" & 1/16" Bit

Tools Needed:

Marking Tool
Carpenter's Level
Studfinder
C-clamps
Square

Materials Needed:

#6 x 2 1/2" Screws
Wood Shims

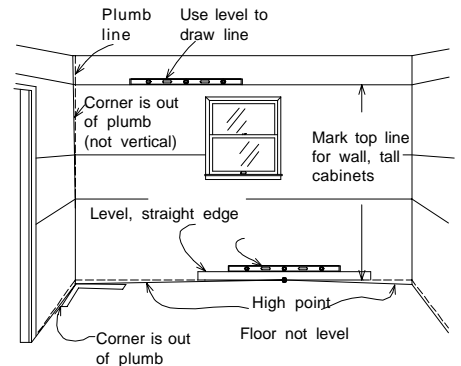
*Not included with all styles.

Inspecting Your New Cabinets:

All cabinets are subjected to numerous quality inspections before leaving the factory. Your new cabinets have been carefully packaged to prevent damage during shipping and handling. Unfortunately, damage may occur occasionally in handling between the factory and the final destination. Inspect each cabinet carefully. If damage is discovered, place the cabinet back into the carton and notify your dealer. Also, check your cabinets against your master materials list before beginning installation. This will ensure that the correct cabinets have been delivered.

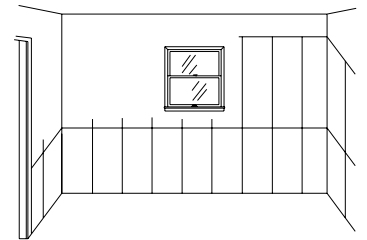
STEP 1

Remove base board and other objects on the wall area where the cabinets are to be installed. Using a straight edge and a level, find the high point in the floor where the cabinets are to be installed. From the high point, mark a level horizontal line on each wall where the cabinets will be attached. From the level lines mark another parallel level horizontal line 35" up for base, 30" for vanity, 54" for wall cabinets and 84", 90" or 96", depending upon your tall cabinet heights. The top of the base, vanity and tall cabinets and the bottom of the wall cabinets will be located at these marks.



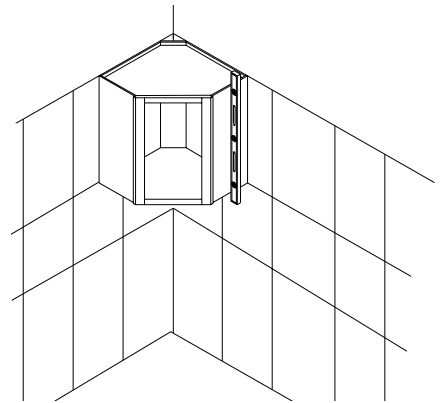
STEP 2

Locate the studs with a stud finder and mark where the cabinets are to be installed. Remove all the doors and drawers from the cabinets before installation. Measure the area to confirm that the kitchen design used will work.

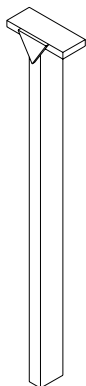


STEP 3

Start installing the wall cabinets in the corner. Place the wall cabinet at the predetermined reference line. It is recommended to use a brace (ex: t-brace) to help hold wall cabinets in place. Measure from the corner to the first wall stud mark. Transfer this measurement to the inside of the wall corner cabinet. Mark the placement of the next wall stud. Drill through the wall cabinet back into the prelocated studs with a 3/32" diameter drill bit, 2 3/8" deep. The holes should be positioned 3/4" down from the inside top of the cabinet but should come no closer than 2" to any inside vertical edge of the cabinet. Cement, block, brick, or tile walls will require plastic shields for screws or toggle bolts. These will need to be purchased separately if needed. Run the #10 x 2 1/2" screws into the holes until they are nearly tight. Must use a #2 phillips bit when fastening the #10 x 2 1/2" screw. Do not tighten the screws until you have finished all final leveling and shimming as needed. Check the front sides and bottoms of all wall cabinets with a level. After the cabinet is level and plumb, tighten the installation screws.



STEP 4



Example of brace used to aide in installing wall cabinets. Shown is a t-brace made of scrap 2x4s and 1x4. Place a piece of scrap carpeting over 1x4 to protect cabinet.

Note: #10 x 2 1/2" installation screws not included with all styles. If not included, recommend purchasing #10 x 2 1/2" screws.

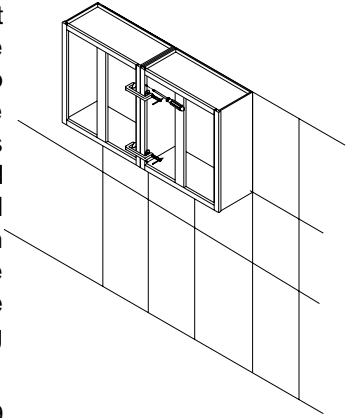
Note: When installing a PDC2430, the cabinet must be attached to the soffit, wall, and at least one run of cabinets.

CAUTION: Never use nails to mount cabinets. The use of nails may void your factory warranty, written or implied.

STEP 5

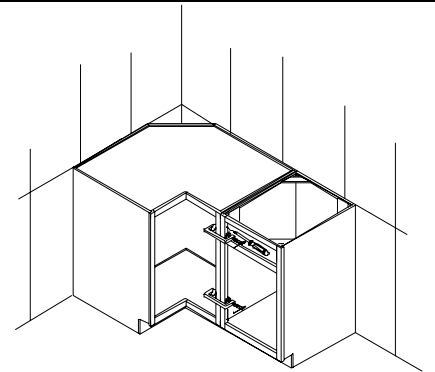
Continue with your wall cabinet installation by placing the next cabinet on the wall at the predetermined reference line. After the two cabinets are mounted to the wall, use (2) C-clamps and clamp the cabinet face frames together firmly. Be careful to line up the bottom horizontal edges. With a 1/16" drill bit, drill starter holes through the face frames near the top and bottom. Insert and tighten the screws. These screws will need to be purchased separately, a #6 x 2 1/2" is recommended. Check cabinet with a level on the cabinet front, sides, and bottom. Shim where necessary. Once the cabinet is level and plumb, tighten all the installation screws and remove the C-clamps. Continue installing the rest of your wall cabinets in the same manner.

Note: if installing single wall cabinet, follow instructions shown in Step #9 for proper installation.



STEP 6

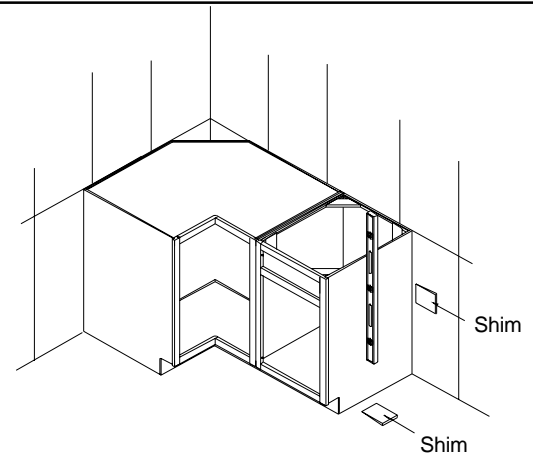
Once the wall cabinets have been installed, the base cabinets can now be installed. Start installing the base cabinets in the corner. Using C-clamps, align and join the cabinets together at the face frames. Make sure that the face frames align both on the face and vertically. Follow Step 5 for attaching face frames.



STEP 7

Check the cabinet for level and plumb. Shim to fill uneven areas between the floor and base of the cabinet, and between the wall and the back of the cabinet. Failure to do this step could result in damage to the cabinet.

Drill through the cabinet back into the prelocated studs with a 3/32" diameter drill bit, 2 3/8" deep. The hole should come no closer than 2" to any inside vertical edge of the cabinet. One screw hole should be located in the upper section of the cabinet and one in the lower section.

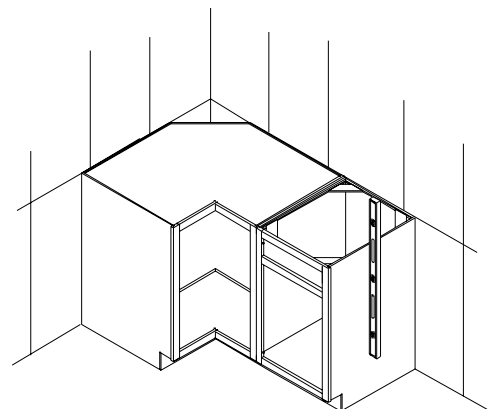


STEP 8

Run the #10 x 2 1/2" screws into the holes until they are nearly tight. Must use a #2 phillips bit when fastening the #10 x 2 1/2" screws. Make sure the back is fully supported with shims, as needed, and does not bow into any imperfections in the wall. Check the cabinet for level and plumb and adjust as needed. Tighten the screws fully and recheck for level and plumb.

NOTE: #10 x 2 1/2" installation screws not included with all styles. If not included, recommend purchasing #10 x 2 1/2" screws.

Once all the cabinets are installed attach the hardware if needed and then reinstall the cabinet doors and drawers. Make sure that all shelf clips are used on the back side of the mullion on all cabinets and on the back panel of 42" wide and wider cabinets.



STEP 9

Installing Single Wall Cabinets:

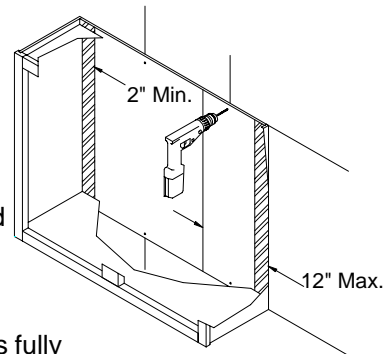
Follow Steps 2 & 3 for preparing the wall for your cabinet. The cabinet should be located so that the studs that you plan to attach it to do not fall within 2" of the inside vertical edges.

Make sure the cabinet is level and plumb. Shim to fill uneven areas between the wall and the back of the cabinet. Failure to do this step could result in damage to the cabinet. Pay close attention to the spots where you plan to screw the cabinets to the wall to make sure there are no voids.

Drill through the cabinet back into your pre-located stud(s) with a 3/32" diameter bit, 2 3/8" deep in 4 places. The holes should be no closer than 2" and no further than 12" from any inside vertical edge. The holes should also be located at the top and bottom of the back. The use of #10 x 2 1/2" screws is required. Cement, block, brick or tile walls will require anchors for the screws. These will need to be purchased separately, if needed.

Run the supplied #10 x 2 1/2" screws into the holes until they are nearly tight. Must use a #2 phillips bit when fastening the #10 x 2 1/2" screws. Make sure that the back is fully supported with shims, as needed, and does not bow into any imperfections in the wall.

Check the cabinet for level and plumb and adjust as needed. Tighten the screws down fully and reinstall the shelves and doors. Make sure that all the shelf clips are used on the back side of the mullion on all cabinets and on the back panel of 42" wide and wider cabinets.



Important: Structural modification of a wall cabinet can significantly weaken the cabinet. For this reason modifications are not recommended, such as cutting the back to clear wall obstructions. If an obstruction exists, we suggest you first try to use cabinet(s) that do not require modifications. If modification is required, the warranty of the cabinet is void and it is the responsibility of the installer to take appropriate steps to compensate for any loss of strength or support due to the modification.

STEP 10

Check for Door and Drawer Alignment:

When all of your base cabinets are securely installed to the walls, the next step is to check each door and drawer for proper alignment.

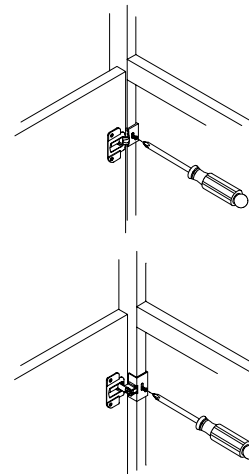
Example: When a drawer front does not lie flush against the face frame, check that each cabinet is level, both vertically and horizontally. You may find it necessary to realign the side-mounted drawer guide. The drawer guide can be adjusted side to side by moving the slide member by hand and making the necessary adjustments until the drawer lies flush against the front frame of the cabinet.

STEP 11

Hinge Adjustment:

The hinge on all framed door styles can be easily adjusted up and down by loosening the hinge screw attached to the door frame. Slide the door up or down until aligned and tighten the screw.

Some allow for side to side adjustment. To adjust, just loosen the hinge screws on the arm of the hinges and slide the door toward the middle of the cabinet. Make sure the teeth on the hinge match up, then tighten the screws.



Trouble Shooting Guide: Problems You Can Handle

STEP 12

Even though your cabinets must pass rigid quality inspection procedures, irregularities arise as a result of shipping and handling procedures. Also, certain errors during the installation process may cause problems that are not the fault of the cabinet manufacturer. Listed below are several conditions and causes, as well as remedies for those situations.

| Problem | Possible Cause | Solution |
|--|---|---|
| Double Doors on a wall or base cabinet do not line up. | This could be the result of improper cabinet installation. The cabinet is out of alignment and is not set level and square (plumb). | Loosen the cabinet from the wall and use shims to properly square up the cabinet. Adjust the door hinges. |
| Cabinet doors do not align vertically (up and down). | A hinge is twisted or the cabinet is out of alignment or "racked." | Make sure the cabinet is plumb and level. Adjust the door hinges. |
| Space between the two adjoining doors is too great. | A hinge is out of adjustment. | Adjust the door hinges or add spacers, depending on style. |
| Cabinet drawer does not close evenly. | Drawer alignment is poor. | Manually adjust the drawer guide member. |
| Cabinet shelf is sagging in the middle. | Shelf peg is not properly inserted on the back side of the middle wood frame section (center mullion). | Use all shelf pegs in their proper positions. Adjust pegs accordingly. |

STEP 13

Care and Cleaning:

The quality, durable finish of your cabinets is designed to withstand the rigors of everyday use for years to come. The information below will help you take proper care of your cabinets and bring you years of satisfaction.

Cabinet Cleaning: Interior

Cabinet interiors are surfaced with a quality laminate material that resists scuffs, mars and most common household spills.

1. To clean the interior surface, simply wipe with a damp cloth or sponge, then dry.
2. To remove food residue or grease, use the suds from any common dishwashing liquid and a damp cloth to wipe clean. Dry thoroughly.

CAUTION: If a spill occurs, it is important to clean up the spill and dry the surface immediately. Tip: Never use a dishcloth to clean or dry cabinet exteriors. Remnants of detergent or grease may be contained within the dishcloth.

Cabinet Cleaning: Exterior - Wood Finish

Wood exteriors are manufactured with a quality finish that protects the wood and brings out its full beauty. To maintain your cabinets' appearance, we recommend cleaning them at least once a month.

1. Simply wipe the surface of your cabinets with a clean, damp cloth, then dry.
2. To remove general soil or grease, use the suds from any common dishwashing liquid and a damp cloth to wipe clean. Dry thoroughly.
3. Excess moisture can damage any cabinet finish; areas near the sink, range, dishwasher, oven and baseboards are the most susceptible. Keep these surfaces dry.
4. Because these cabinets use a quality varnish on the finish, waxing your cabinets is not necessary. If waxing is preferred, use any furniture polish or lemon oil recommended for fine furniture. Be sure to completely wipe off the excess wax to avoid build up.

CAUTION: Avoid using cleaners that contain bleach, ammonia or any type of abrasives (see label). These cleaners can cause damage to your cabinet finish.

Cabinet Cleaning: Exterior - Laminate/Thermofoil

Some styles use doors and drawer fronts with a laminate or thermofoil finish. To clean this type of finish, it is recommended to use the same procedures described for wood exteriors.

EXCEPTION: DO NOT wax laminate or thermofoil cabinet surfaces.